

SARGENT®

6500 LINE
CYLINDRICAL
LEVER LOCK



6500 Lever Lock Specifications



SARGENT

1-800-727-5477

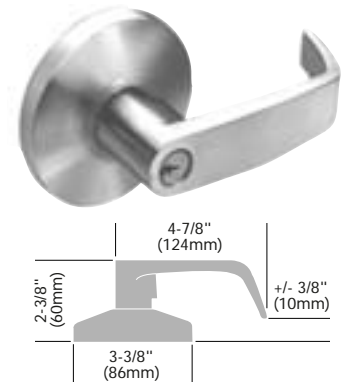
www.sargentlock.com

65G05 Shown



KL Design

- Rose: K – Wrought
- Lever: L – Cast



A standard duty key-in-lever lock designed to exceed the requirements of ANSI A156.2, Series 4000 and Grade 2.

Specifications

For Doors	1-3/8" (35mm) to 1-3/4" (44mm) only
Backset	2-3/4" (70mm) standard 2-3/8" (60mm) optional (20- Prefix)
Cylindrical Housing	Steel zinc dichromate finish
Front	Wrought brass and stainless steel 2-1/4" (57mm) x 1-1/8" (29mm)
Strike	600 Curved Lip, Brass or Stainless Steel Standard 808 ANSI Curved Lip available (28- prefix) 505 Full Lip strike available (14- prefix)
Hand	Universal, not handed
Latch	Brass 1/2" (13mm) throw
Keys	Two, nickel silver
Cylinder	Brass, 6 pin, LA keyway standard
Finishes	3, 4, 10, 10B, 26, 26D (No Split Finish)
Door Prep	ANSI A115.2 (161) Modified
Minimum Stile	4-1/2" (114mm)

Certification Compliance

ANSI/BHMA	Meets ANSI A156.2 Series 4000 – Grade 2
UL	UL listed to U.S.A. and Canadian safety standards Listed for 3 Hour Doors
Positive Pressure	Meets UL 10C and UBC 7-2 (1997)
ADA	All levers conform to ADA requirement for barrier-free accessibility
California Code	Levers conform to California Administrative Code Title 19 and 24
Hurricane Code	All individual components of a total door opening are required to comply with each code. Refer to the SARGENT Website (www.sargentlock.com) for specific code compliance listings for both the lock hardware and other door components

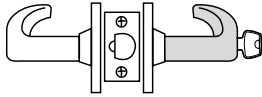
6500 Lever Lock Functions

SARGENT

1-800-727-5477

www.sargentlock.com

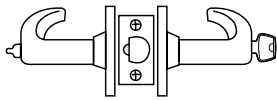
04 Storeroom or Closet



65G04

- Deadlocking latch
- Latch by lever inside or key outside
- Outside lever rigid at all times
- ANSI F86

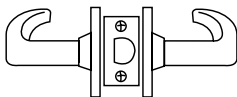
05 Entrance or Office



65G05

- Deadlocking latch
- Latch by either lever unless outside lever is locked by push/turn button in inside lever
- Push button released by key outside or lever inside
- Turn button must be released manually
- Key retracts latch when outside lever is locked
- ANSI F81

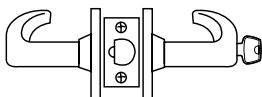
15 Passage



65G15

- Latch by either lever
- ANSI F75

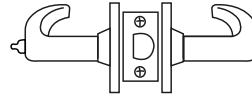
37 Classroom



65G37

- Deadlocking latch
- Latch by either lever unless outside lever is locked by key
- Key in outside lever locks or unlocks outside lever
- Inside lever always operative
- ANSI F84

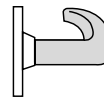
65 Privacy/Bathroom



65U65

- Latch by either lever unless outside lever is locked by push button in inside lever
- Turning inside lever or closing door releases button
- Emergency button in outside lever unlocks, with use of a blade screwdriver outside lever and releases inside button
- Bathroom key supplied only when ordered separately (Part #14-0300)
- ANSI F76

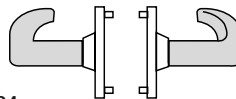
93 Single Lever Pull



65U93

- For wood or custom hollow metal doors
- Lever and rose attached by three surface applied screws

94 Double Lever Pull



65U94

- For wood or custom hollow metal doors
- Lever and rose both sides through-bolted and three surface applied screws each side

14-0300 Emergency Key



- For 65U65 function only
- Emergency key provided only when ordered separately (part # 14-0300)

Prefix Designation & Description

10**	SARGENT Signature Key System
11	SARGENT XC Key System (not available w/10, 21, 22, 30, 60, 63, 64, SC, SE, VA, VS prefixes)
14	505 Full lip strike
20	2-3/8" backset
21	SARGENT Construction Key System (lost ball) Std. on all new systems est. since 5/1/96
22	SARGENT Construction Key System (split key). Pre-est. key systems only
28	Strike #808. Lip Length 1-1/4". Lip Length 1-5/8" to 2-7/8" in 1/4" increments only
60	SARGENT Removable Disposable Construction Core
63	SARGENT Removable Core Cylinder
64	SARGENT Removable Construction Core Cylinder
65-73	Small Format 6 Pin Uncombined Core
65-73-7P-	Small Format 7 Pin Uncombined Core
70	Small Interchangeable disposable plastic construction core. No core provided
72	Small Format Interchangeable 6 Pin Construction Core
73	Small Format Interchangeable Core, 6 Pin (Keyed to existing systems)
73-7P	Small Format Interchangeable Core, 7 Pin (Keyed to existing systems only)
75	Handicapped Warning on Inside Lever (Embossed on back side of lever)
76	Handicapped Warning on Outside Lever (Embossed on back side of lever)
77	Handicapped Warning on Both Levers (Embossed on back side of lever)
SC	Schlage C keyway cylinder, 0-Bitted
SE	Schlage E keyway cylinder, 0-Bitted
VA**	SARGENT V-10 Standard Cylinder
VS**	SARGENT V-10 Standard Sub Assembled Cylinder

** Available to match existing key systems. Not recommended for Grade 2 applications

6500 Lever Lock Strikes/How To Order

SARGENT

1-800-727-5477

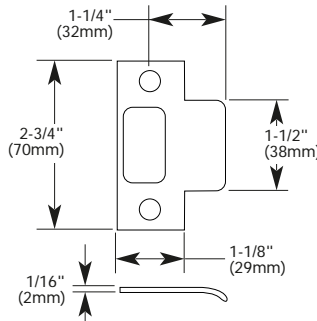
www.sargentlock.com

2-3/4" Curved Lip Strike Standard

Furnished standard with 1-1/4" (32mm) curved lip from center of strike screw holes to end of lip.

To order strike separately, specify 600 strike x finish x lip length.
Finishes: 3, 4, 10, 10B, 32D.

Lip lengths – 1" (25mm), 1-1/4" (32mm), 1-1/2" (38mm), 1-3/4" (44mm) and 2" (51mm)



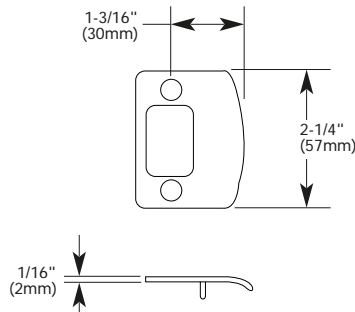
US Finish	Descriptions	ANSI
3	Polished Brass, clear coat	605
4	Satin Brass, clear coat	606
10	Satin Bronze, clear coat	612
10B	Oxidized Bronze-Oil Rubbed	613
26	Polished Chrome	625
26D	Satin Chrome	626

No Split Finish

2-1/4" Full Lip Strike (14- Prefix)

Lip length 1-3/16" only

To order strike separately, specify 505 strike x finish x lip length.
Finishes: 3, 4, 10, 10B, 32D.



How To Order

Specify	Example
28	Prefix (808 Strike)
65	Line
G	G or U Guarded/deadlocking or Unguarded/latch
05	Function
K	Rose Type
L	Lever Type
10B	Finish

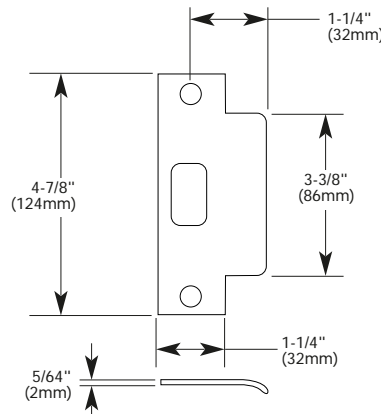
Sample: 28-65G05xKLx10B

4-7/8" Curved Lip Strike (28- Prefix)

Conforms to ANSI standard.
Curved lip regularly furnished.

To order strike separately, specify 808 strike x finish x lip length.
Finishes: 3, 4, 10, 10B, 32D.

Lip lengths – 7/8" (22mm), 1-1/8" (29mm), 1-1/4" (32mm), 1-3/8" (35mm), 1-5/8" (41mm), 1-7/8" (48mm), 2-1/8" (54mm), 2-3/8" (60mm), 2-5/8" (67mm), 2-7/8" (73mm)



Packaging

65G05 KL	4 lbs.	1/box
65G05 KL	41 lbs.	10 boxes/case

Latch Assemblies

05-2184	2-3/8" (60mm), 20 prefix (deadlocking latch)
05-2185	2-3/8" (60mm), 20 prefix (latch)
05-2182	2-3/4" (70mm), standard (deadlocking latch)
05-2183	2-3/4" (70mm), standard (latch)



SARGENT Manufacturing Company • 100 Sargent Drive • P.O. Box 9725 • New Haven • CT 06536-0915
Phone: 800-727-5477 • Fax: 888-863-5054 • Web site: www.sargentlock.com
SARGENT of Canada • Phone: 905-940-2040 • Fax: 905-940-3242 • Web site: www.sargentcanada.ca

Founded in 1864, SARGENT® is a market leader in locksets, cylinders, door closers, exit devices, electro-mechanical products and access control systems for new construction, renovation and replacement applications. The company's customer base includes commercial construction, institutional and industrial markets.

The ASSA ABLOY Group is the world's leading manufacturer and supplier of locking solutions, dedicated to satisfying end-user needs for security, safety and convenience.